

**CRES**  
*Single Lever Lavatory Faucet  
 (Semi-tall) (w/ Pop-up Waste)*



### Features

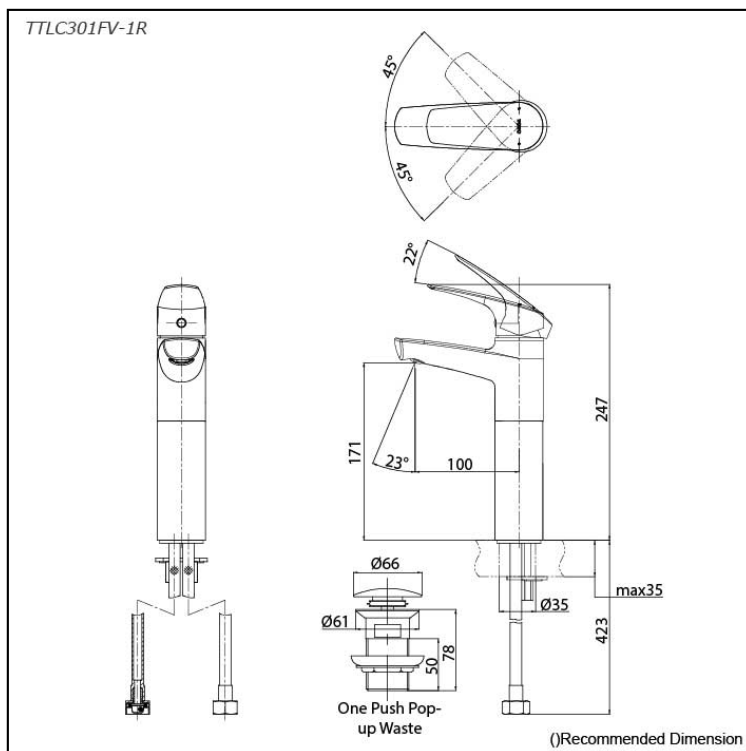
- Sharp-lined smart design exclusively for CRES series
- Durable finishes
- Smooth operation with lever type

### Specifications

Water Pressure: 0.05MPa~0.75MPa  
 Hole: 1 hole  
 Finish: Nickel Chrome  
 Material: Brass

### Parts description

- **TTL301FV-1R**  
 Single Lever Lavatory Faucet w/ Pop-Up Waste



### Flow Rate

TTL301FV-1R

