

CRES
*Wall Mount Single Lever Lavatory Faucet
 (w/o Pop-up Waste)*



Features

- Sharp-lined smart design exclusively for CRES series
- Durable finishes
- Smooth operation with lever type

Specifications

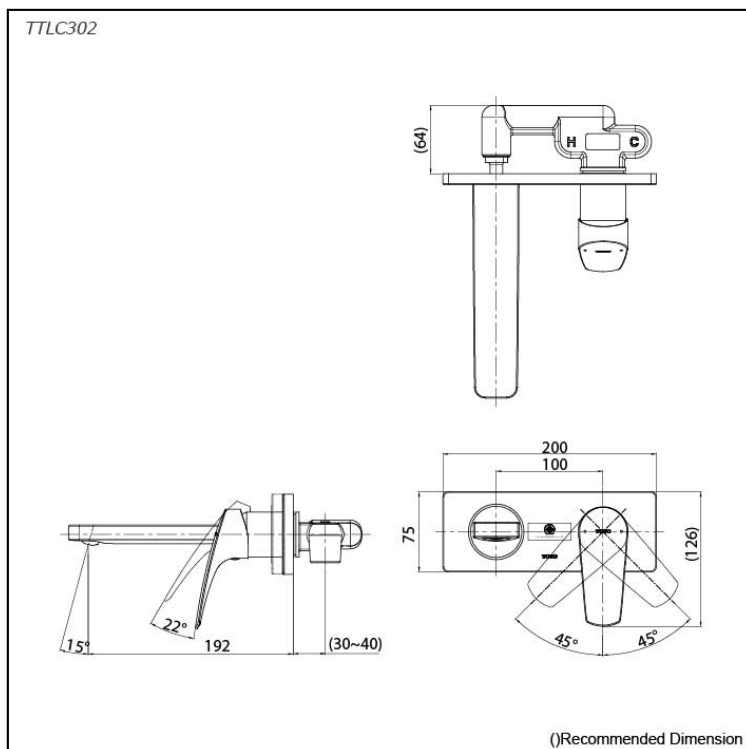
Water Pressure: 0.05MPa~0.75MPa

Finish: Nickel Chrome

Material: Brass

Parts description

- **TTLC302**
 Wall Mount Single Lever Lavatory Faucet
 w/o Pop-Up Waste



Flow Rate

TTL302

