

CRES
Exposed Single Lever
Shower Mixer



Features

- Sharp-lined smart design exclusively for CRES series
- Durable finishes
- Smooth operation with lever type

Specifications

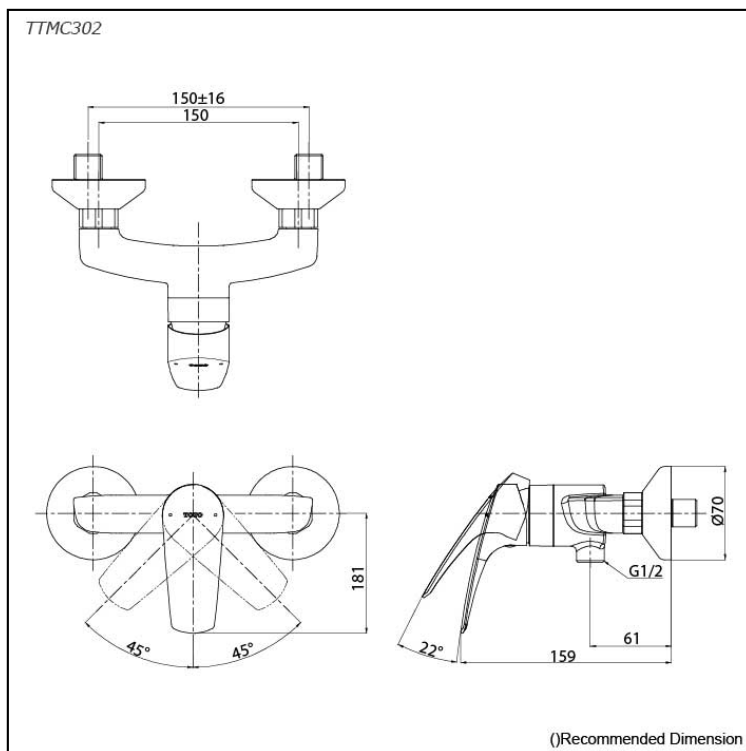
Water Pressure: 0.05MPa~0.75MPa

Finish: Nickel Chrome

Material: Brass

Parts description

- **TTMC302**
Exposed Single Lever Shower Mixer



Flow Rate

TTMC302

