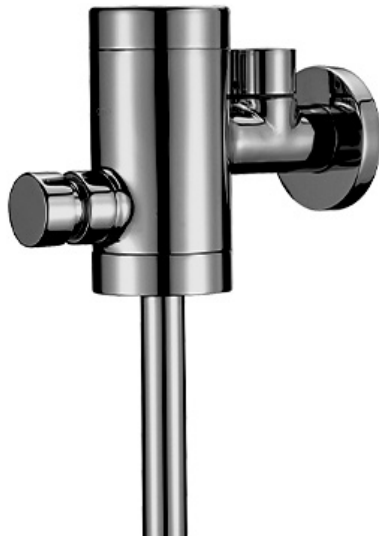


Urinal Flush Valve
(Manual)



Features

- Easy installation and Saves space, as the Cistern is not needed

Specifications

Water Pressure: 0.07MPa ~ 0.75MPa

Flush Volume: 2.5L

Parts description

- **TX501U**
Urinal Flush Valve (Manual)

