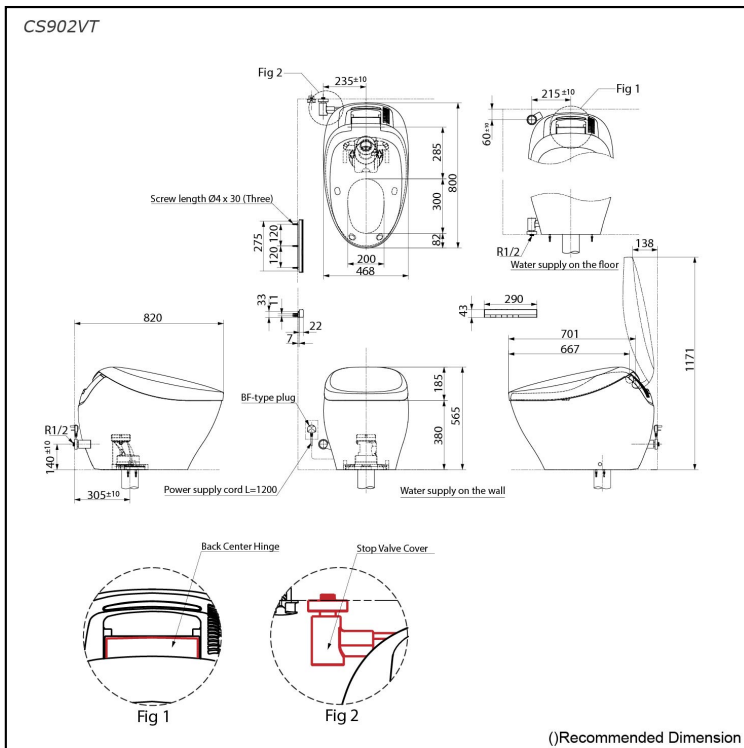


## NEOREST NX Luxurious Smart Toilet



## Features

- New TORNADO FLUSH uses less water to produce powerful streams of water that travels along a hairpin curve of new RIMLESS DESIGN bowl creating a 360 degree of cleaning power that washes every spot
- PREMIST, a fine spray of mist making it difficult for dirt to adhere
- EWATER+ not only keeps toilet bowl and nozzle clean by preventing bacterial with sanitizing effect but is also sprayed under the seat to prevent other accumulated waste, ensures a long-lasting cleanliness
- Automatic operation: Lid opens, closes and toilet flushes when sensor is activated
- AIR-IN WONDERWAVE uses air rich water droplets to produce comfortable cleaning sensation
- HEATED SEAT with temperature control
- Auto powerful DEODORIZER activates after every usage
- Adjustable WARM AIR DRYING
- Hybrid Ecology System  
- WATER SAVING

## Specifications

Flush system: TORNADO FLUSH

Water Use: 3.8L / 3.0L

Rough-in: 305 mm

Bowl Shape: Elongated

Water Pressure: 0.05MPa~0.75MPa

Power Rating: 220~240V, 50/60Hz,  
860~870W

Length of Power Cord: 1.2 m

Material: Bowl -Vitreous China  
Seat & Cover -Plastic  
Remote Controller  
-Aluminium

Size: 468Wx800Dx565H mm

## Parts description

- CS902VT  
Water Closet Bowl (S-Trap)  
(Rough-in 305)

### Optional Parts

- T53P100VR  
Floor Flange

## Colors

White (CEFIONTECT)  
- Water Closet Bowl

Silver  
- Stop Valve Cover  
- Back Center Hinge  
- Remote Controller

### ***Important Note***

- Do not use other water than allowed by the laws and ordinances of the region of use. Only use portable water.

Do not use seawater or recycled water.

- This is an electrical product. Do not install it anywhere water is likely to get on the product or anywhere with humidity high enough that water is likely to form on the surface of this product. When using the product in a bathroom, install a fan or ventilation port and ensure good air flow through the bathroom.
- If the controller is not being used over a certain period of time, the batteries in the controller are highly recommended to be removed. Batteries in the remote controller are recommended to be replaced on a yearly basis.