

CI CONTEMPORARY
2 Holes Lavatory Faucet



Features

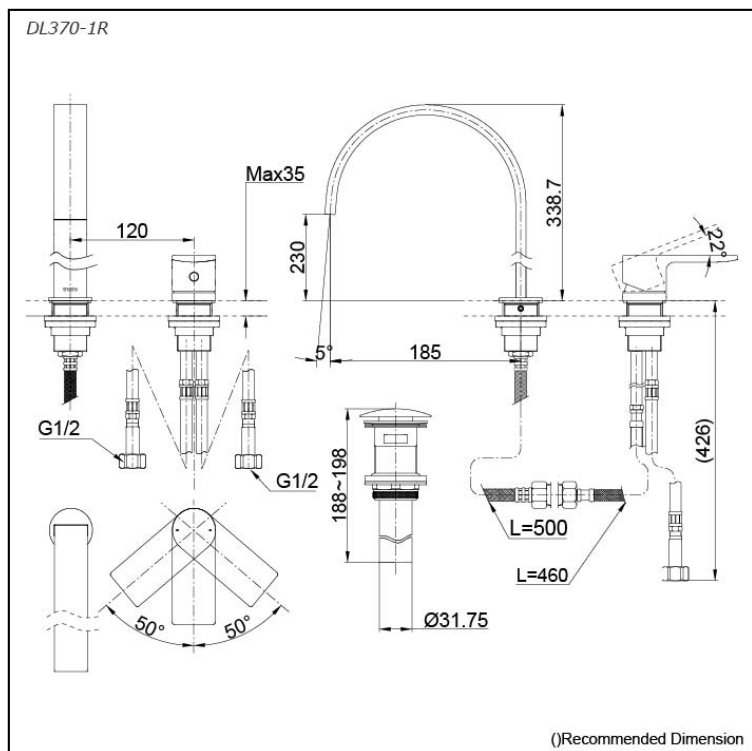
- Contemporary styling
- Smooth operation with lever type

Specifications

Finish: Chrome
Material: Brass
Water Pressure: 0.05MPa~0.75MPa

Parts description

- DL370-1R
2 Holes Lavatory Faucet W/ Pop-up Waste



Flow Rate

