

CI CONTEMPORARY
Wall Mounted Lavatory Faucet
(w/ Pop-Up Waste)

Features

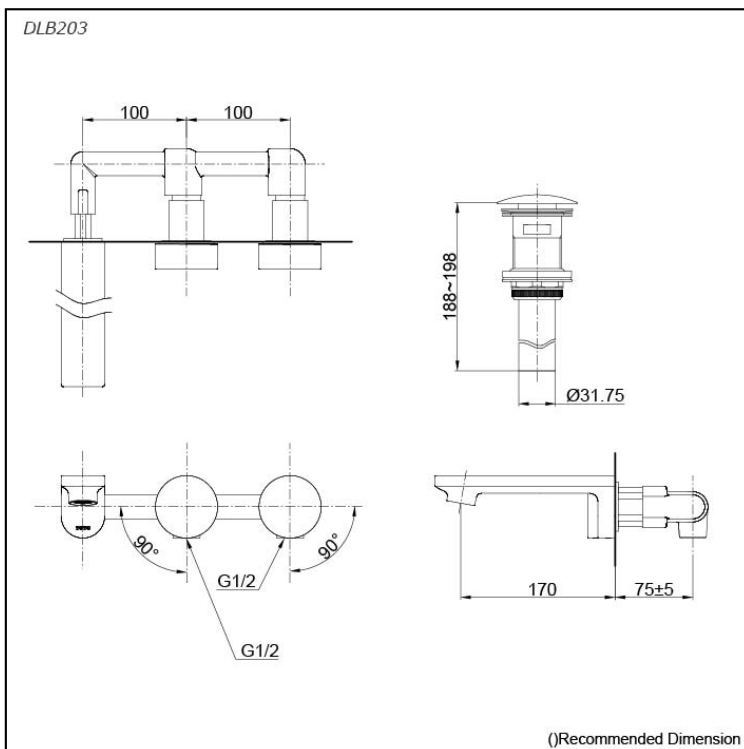
- Contemporary styling
- TOTO aerated water technology, ECOCAP adds air to the water to achieve full water jet with less amount of water usage

Specifications

Finish: Chrome
Material: Brass
Water Pressure: 0.05MPa~0.75MPa

Parts description

- **DLB203**
Wall Mounted Lavatory Faucet
(w/ Pop-Up Waste)



Flow Rate

DLB203

