

GR Series
Bath Filler without Shower
(3-Holes)



Features

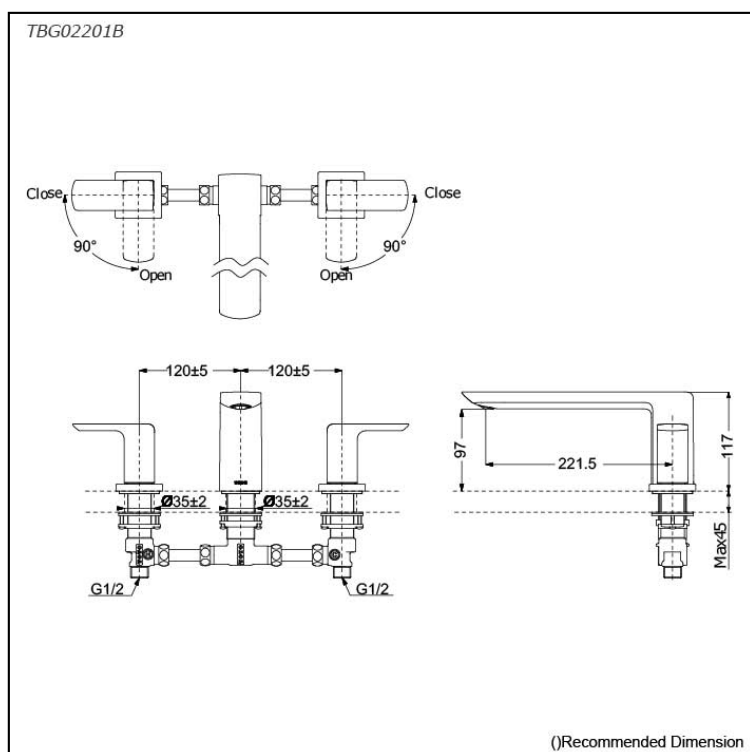
- Design Concept is Gorgeous and Regal
- Safety control with heat insulating handle.
- The PVD finishes provides both beauty and strength, adding rich color to the bathroom space

Specifications

Material: Brass
Water Pressure: 0.07MPa~1.0MPa

Parts description

- **TBG02201B**
Bath Filler without Shower (3-Holes)



Flow Rate

TBG02201B

