

GS Series
Bath Filler without Shower
(3-Holes)



Features

- Design concept is gorgeous and smart
- Safety control with heat insulating handle.
- High corrosion resistance plating
- The PVD finishes provides both beauty and strength, adding rich color to the bathroom space

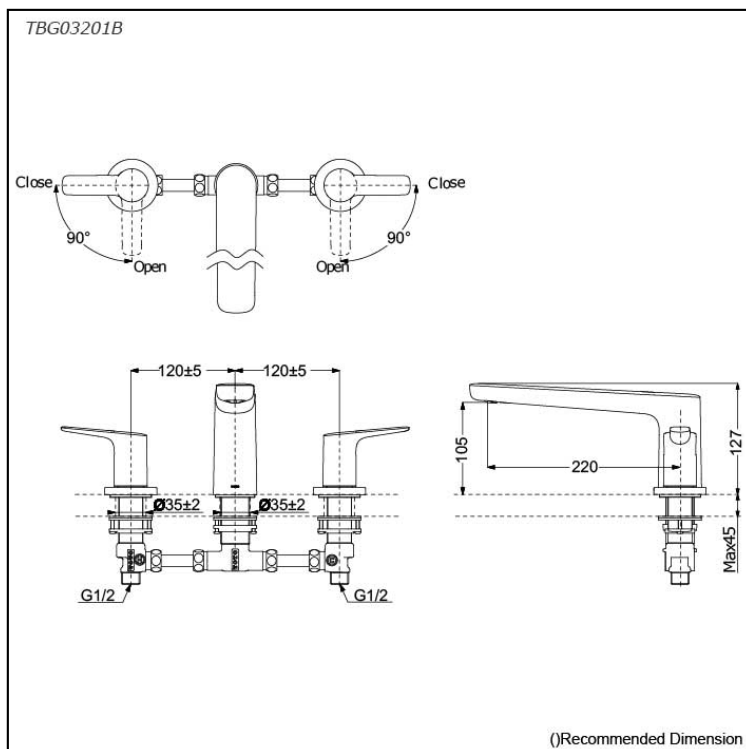
Specifications

Material: Brass

Water Pressure: 0.07MPa~1.0MPa

Parts description

- **TBG03201B**
Bath Filler without Shower (3-Holes)



Flow Rate

TBG03201B

