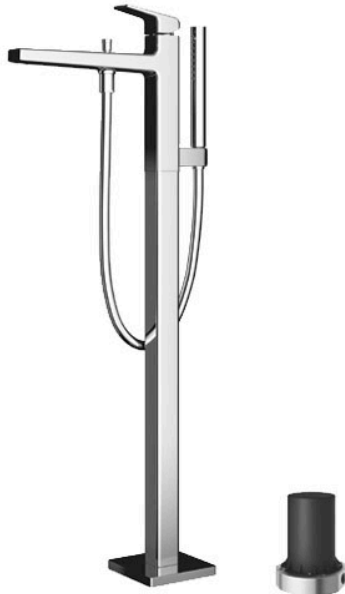


GB Series
Floor Standing Bath & Shower Set



Features

- Stately squareness and beveled edges imbue a space with dignity
- Gently beveled with balanced highlights accentuate the shape of the gradually narrowing spout
- High corrosion resistance plating
- Easy Installation and Usage
- Long lasting COMFORT GLIDE mechanism for a smooth operation
- The PVD finishes provides both beauty and strength, adding rich color to the bathroom space

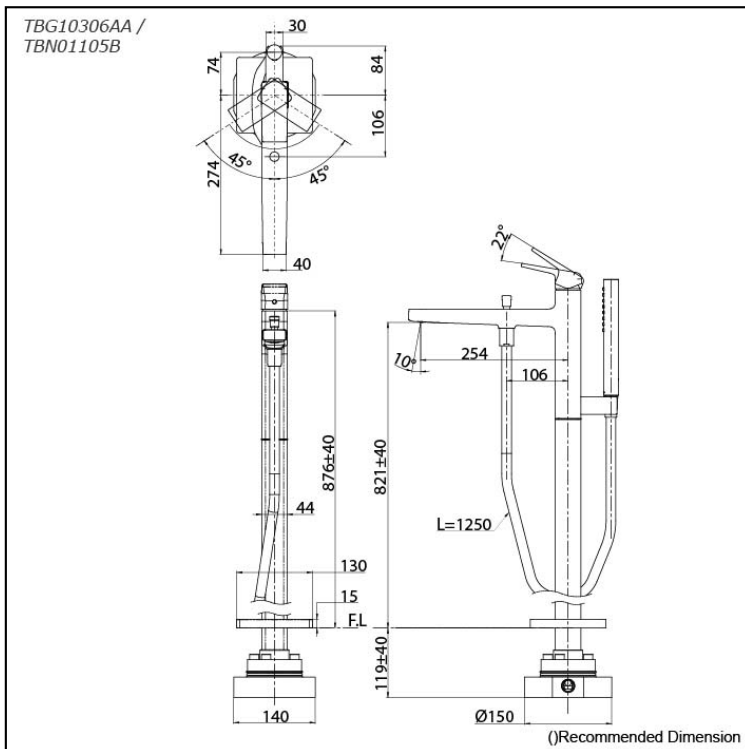
Specifications

Material: Brass

Water Pressure: 0.05MPa~1.0MPa

Parts description

- **TBG10306AA**
Floor-standing Bath & Shower Set
- **TBN01105B**
Floor-standing Bath Filler Base



Flow Rate

