

GO Series
Side Lever Lavatory Faucet
(w/ Pop-up Waste)



Features

- Design Concept is Gorgeous and Organic.
- The PVD finishes provides both beauty and strength, adding rich color to the bathroom space

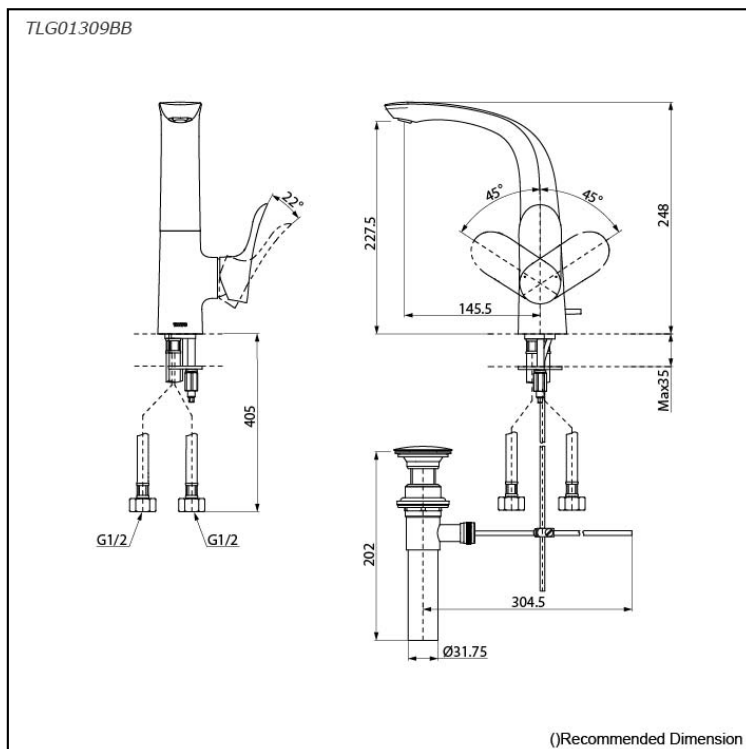
Specifications

Material: Brass

Water Pressure: 0.05MPa~1.0MPa

Parts description

- **TLG01309BB**
Single Lever Lavatory Faucet (Side handle)
(w/ Pop-up Waste)



Flow Rate

