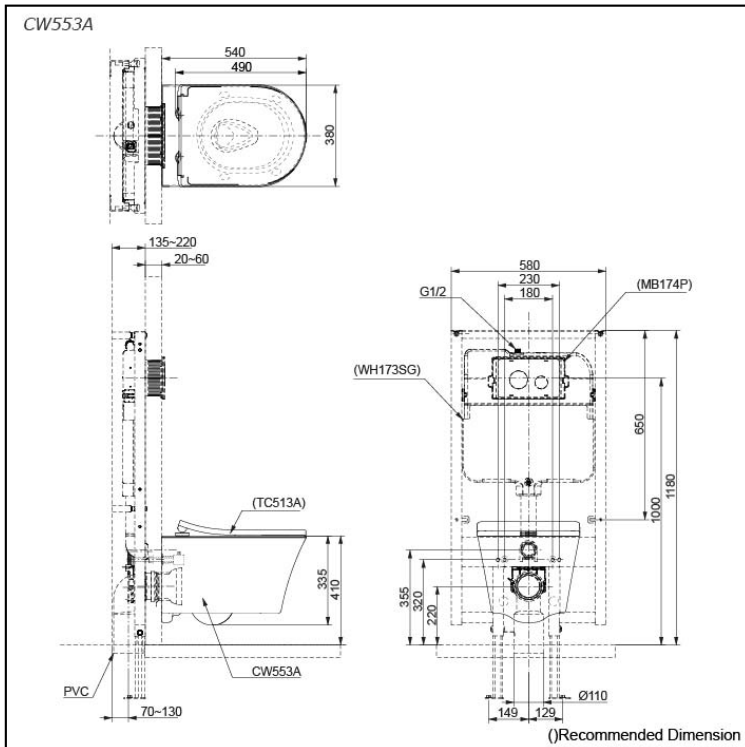


WALL HUNG TOILET



Features

- Sleek and Stylish Design
- TORNADO FLUSH for powerful flushing effect with less amount of water
- WATER SAVING
- CEFIONTECT technology: super smooth, ion barrier glaze for a clean toilet bowl
- RIMLESS DESIGN bowl ensures easy cleaning and ultimate hygiene
- Fixing from the top of the bowl for Easy Installation

Specifications

Flush system:	TORNADO FLUSH
Water Use:	4.0L / 3.0L
Rough-in:	H=220 mm
Bowl Shape:	D-Shape
Water Pressure:	0.05MPa~0.75MPa
Size:	380Wx540Dx335H mm

Parts description

Seat & Cover is **not included**.

- **CW553A**
D-Shape Wall Hung Closet Bowl (P-Trap)
(w/o Concealed Washlet Connection)
(Rough-in 220)

Optional Parts

- WH173SG
Concealed Cistern w/Frame
- TC513A
Seat & Cover
- MB174P
Flush Panel
- MB176G
Flush Panel
- MB175M
Flush Panel

NOTE

- **DO NOT COUPLE THIS WC WITH FLUSH VALVE**
- **Actual Seat & Cover may differ from the image above**

Colors

White (CEFIONTECT)

Certifications

