

Touchless Faucet  
Wall Mounted



## Features

- Hands-free usage increases hygiene
- Sensor positioned underneath the spout head for more accurate user detection
- SELF POWER Technology:  
Self-generated power saves electricity  
(Controller: TLE03502A)
- WATER SAVING
- ECO CAP Technology:  
TOTO aerated bubble technology adds air to the water to achieve full water jet

## Specifications

Water Pressure: 0.05MPa ~ 0.75MPa

Water Usage: 2L/min

Finish: Nickel Chrome

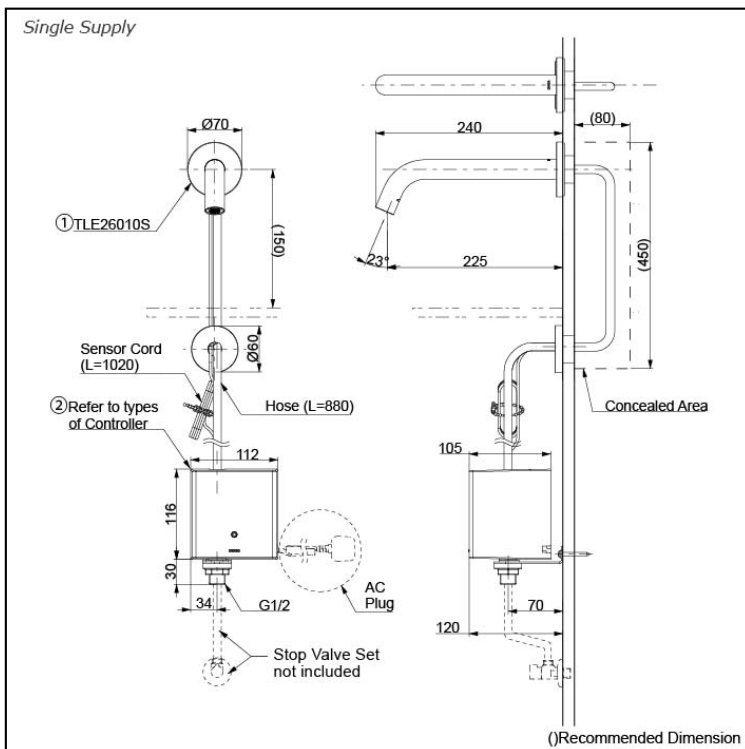
## Parts description

Single Supply Combination

- **AC Controller (220~240V)**
  1. TLE26010S (Wall-mounted)
  2. TLE01502A (AC Operated - BF Plug)
- **Self Powered Controller**
  1. TLE26010S (Wall-mounted)
  2. TLE03502A (Self Powered)

### NOTE

- \*For Thermostatic  
Please purchase TLE05701A (Thermostat)



## Certifications



