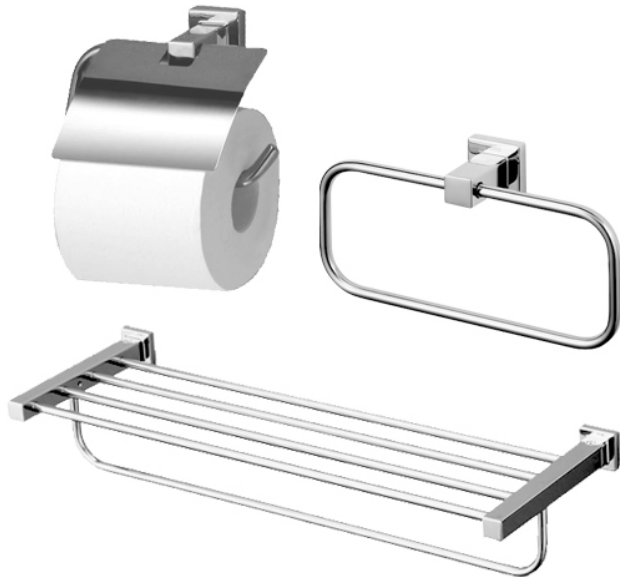


*L Selection
Accessories Set*



Features

- Gorgeous and Generous Design
- Beautiful Curves, Noble Quality
- Easy to use and install

Specifications

| | |
|-----------|----------------------|
| YH408RC: | 165W x 55D x 83H mm |
| YTT408C: | 229W x 55D x 99H mm |
| YTS408BC: | 560W x 200D x 90H mm |

Parts description

- **YH408RC**
Paper Holder
- **YTT408C**
Towel Ring
- **YTS408BC**
Towel Shelf

