

NEOREST RH Luxurious Smart Toilet



Features

- Luxury, elegant and seamless design
- Hybrid Ecology System
 - WATER SAVING dual flush 4.0 / 3L
 - Minimum required water pressure only at 0.05MPa (Dynamic)
- New TORNADO FLUSH system. 360 degree cleaning power reaches every spot using less water from newly developed bowl
- TORNADO FLUSH waterjet outlet is newly placed in hidden position to present a cleaner aesthetics
- New RIMLESS DESIGN bowl. Simply beautiful in shape with no shaded area make cleaning easier
- AIR-IN WONDERWAVE uses air rich water droplets to produce comfortable cleaning sensation
- Build-in with Motion Sensor - Microwave technology
- HEATED SEAT with temperature control
- PREMIST, a fine spray of mist making it difficult for dirt to adhere
- EWATER+ keeps toilet bowl and nozzle clean by preventing bacterial with sanitizing effect
- Auto powerful DEODORIZER activates after every usage
- Adjustable WARM AIR DRYING

EWATER+, highly effective sanitizer created by electrolyzed chloride ion in tap water. After use, it returns back to original state, environmental friendly

Specifications

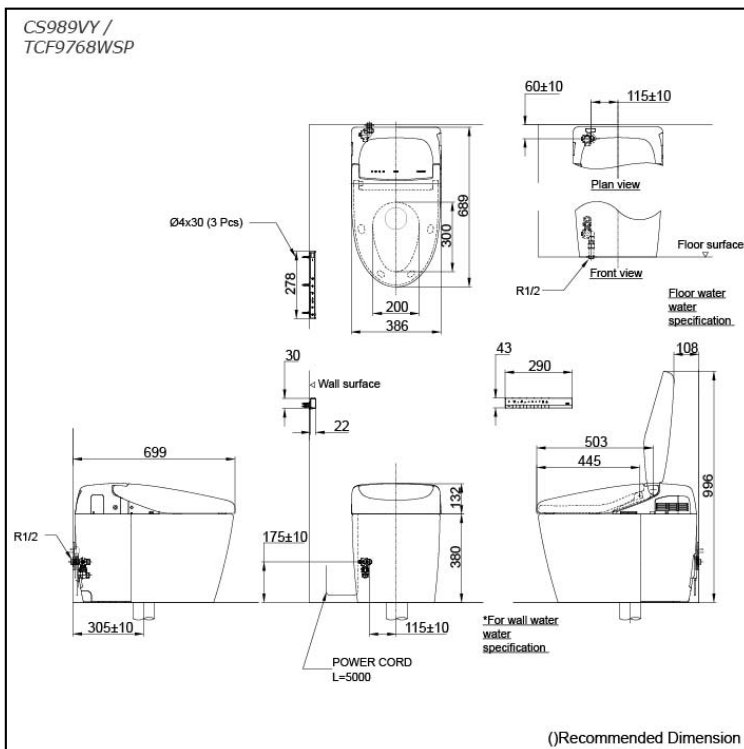
Flush system:	TORNADO FLUSH
Water Use:	4.0L / 3L
Rough-in:	305 mm
Water Pressure:	0.05MPa~0.75MPa
Power Rating:	220~240V, 50/60Hz, 820~839W
Length of Power Cord:	5.0 m
Material:	Bowl -Vitreous China Seat & Cover -Plastic Remote Controller -Aluminium
Size:	386Wx689Dx512H mm

Parts description

- **CS989VY**
Water Closet Bowl (S-Trap)
(Rough-in 305)
- **TCF9768WSP**
WASHLET unit

Optional Parts

- T53P100VR
Floor Flange





White (#NW1)

Certifications

