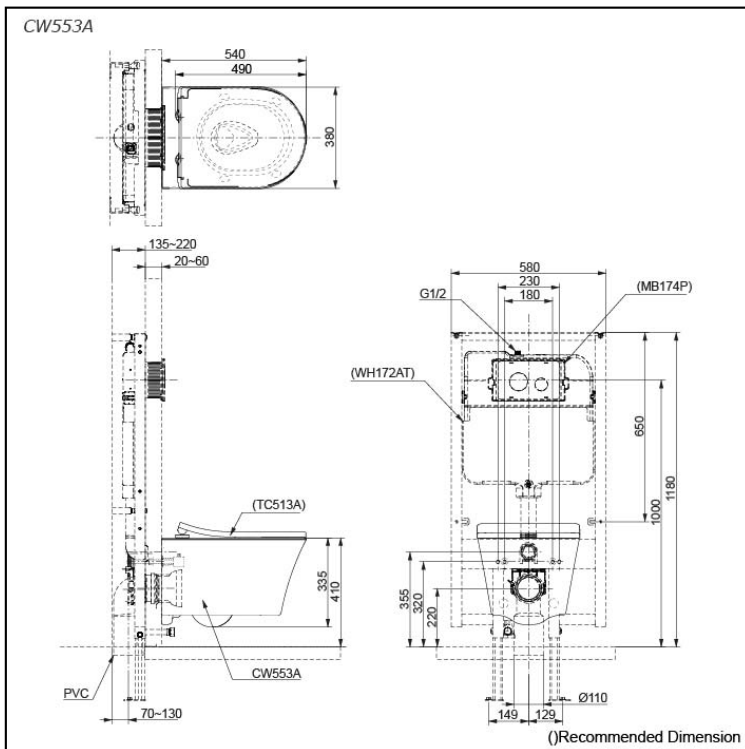


## WALL HUNG TOILET



## Features

- Sleek and Stylish Design
- TORNADO FLUSH for powerful flushing effect with less amount of water
- WATER SAVING
- CEFIONTECT technology; super smooth ion barrier glazing for a clean Toilet bowl
- RIMLESS DESIGN bowl ensures easy cleaning and ultimate hygiene
- Fixing from the top of the bowl for Easy Installation

## Specifications

Flush system:	TORNADO FLUSH
Water Use:	4.5L / 3L
Rough-in:	H=220 mm
Bowl Shape:	D-Shape
Water Pressure:	0.05MPa~0.75MPa
Size:	380Wx540Dx335H mm

## Parts description

Seat & Cover is **not included**.

- **CW553A**  
D-Shape Wall Hung Closet Bowl (P-Trap)  
(w/o Concealed Washlet Connection)  
(Rough-in 220)

### Optional Parts

- WH172A  
Concealed Cistern w/Frame
- TC513A  
Seat & Cover
- MB174P  
Flush Panel
- MB176G  
Flush Panel
- MB175M  
Flush Panel

### NOTE

- **DO NOT COUPLE THIS WC WITH FLUSH VALVE**
- **Actual Seat & Cover may differ from the image above**

## Colors

White (CEFIONTECT)