

### CI CONTEMPORARY 2 Holes Lavatory Faucet



### Features

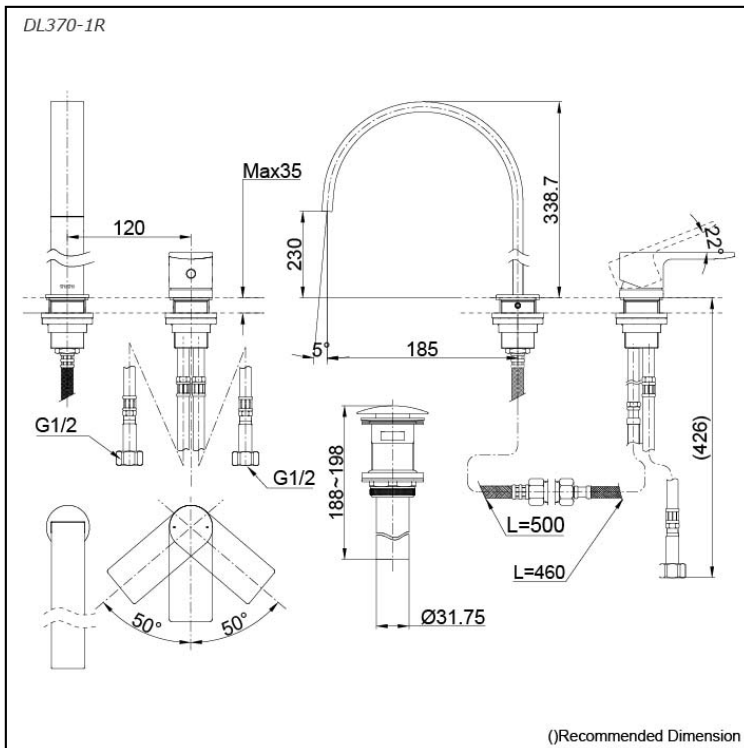
- Contemporary styling
- Smooth operation with lever type

### Specifications

Finish: Chrome  
 Material: Brass  
 Water Pressure: 0.05MPa~0.75MPa

### Parts description

- **DL370-1R**  
2 Holes Lavatory Faucet W/ Pop-up Waste



### Flow Rate

