

CI CONTEMPORARY  
Wall Mounted Lavatory Faucet  
(w/ Pop-Up Waste)

### Features

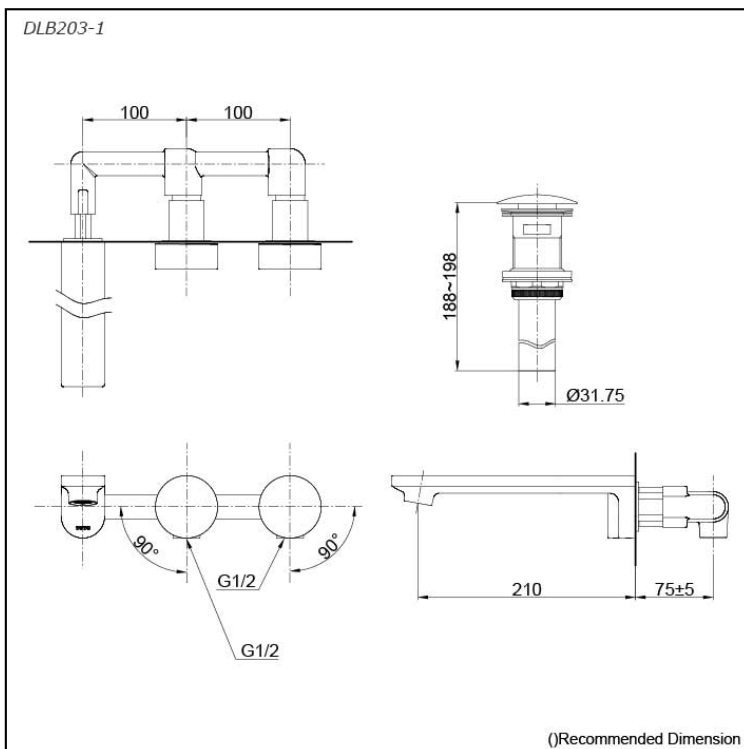
- Contemporary styling
- TOTO aerated water technology, ECOCAP adds air to the water to achieve full water jet with less amount of water usage

### Specifications

Finish: Chrome  
Material: Brass  
Water Pressure: 0.05MPa~0.75MPa

### Parts description

- **DLB203-1**  
Wall Mounted Lavatory Faucet  
(w/ Pop-Up Waste)



## Flow Rate

DLB203-1

