

GC Series
Bath Spout



Features

- Breadth and symbolism of classic design in a contemporary form
- Elegant design that stood the test of time while transitioning to a modern design that reflects the present day
- High corrosion resistance plating
- Easy Installation and Usage
- The PVD finishes provides both beauty and strength, adding rich color to the bathroom space

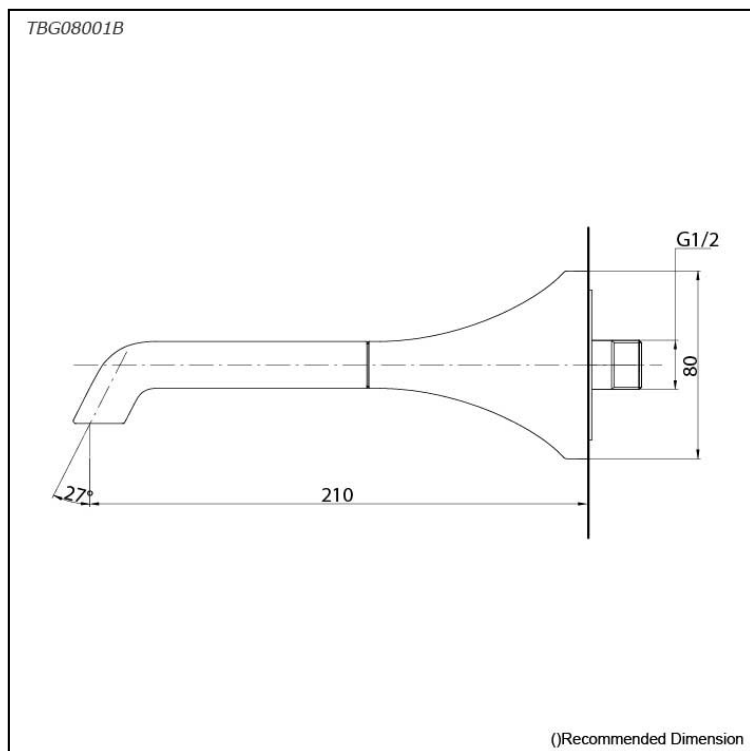
Specifications

Material: Brass

Water Pressure: 0.05MPa~1.0MPa

Parts description

- **TBG08001B**
Bath Spout



Flow Rate

TBG08001B

