

**CRES**  
Single Lever Bath and  
Shower Mixer w/ Diverter



### Features

- Sharp-lined smart design exclusively for CRES series
- Durable finishes
- Smooth operation with lever type

### Specifications

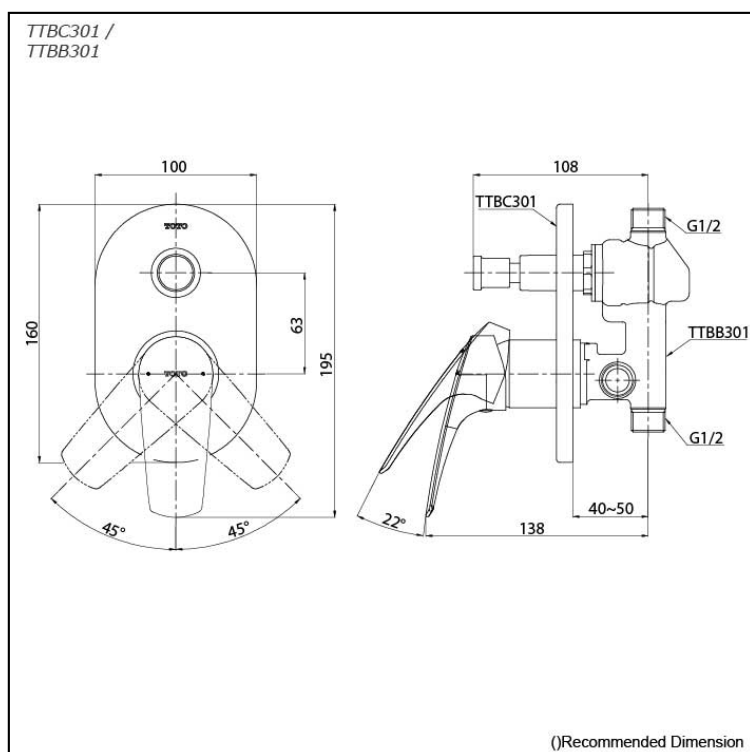
Water Pressure: 0.05MPa~0.75MPa

Finish: Nickel Chrome

Material: Brass

### Parts description

- **TTBC301 / TTBB301**  
Single Lever Bath and Shower Mixer w/  
Diverter



## Flow Rate

TTBC301 /  
TTBB301

