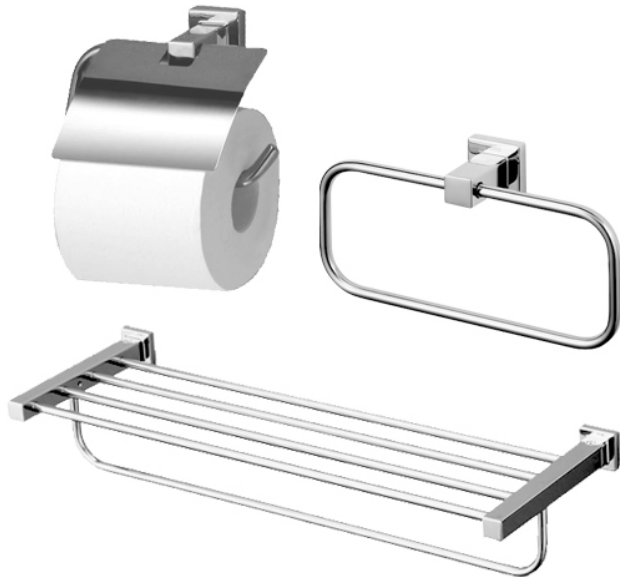


*L Selection  
Accessories Set*



### Features

- Gorgeous and Generous Design
- Beautiful Curves, Noble Quality
- Easy to use and install

### Specifications

|           |                      |
|-----------|----------------------|
| YH408RC:  | 165W x 55D x 83H mm  |
| YTT408C:  | 229W x 55D x 99H mm  |
| YTS408BC: | 560W x 200D x 90H mm |

### Parts description

- **YH408RC**  
Paper Holder
- **YTT408C**  
Towel Ring
- **YTS408BC**  
Towel Shelf

